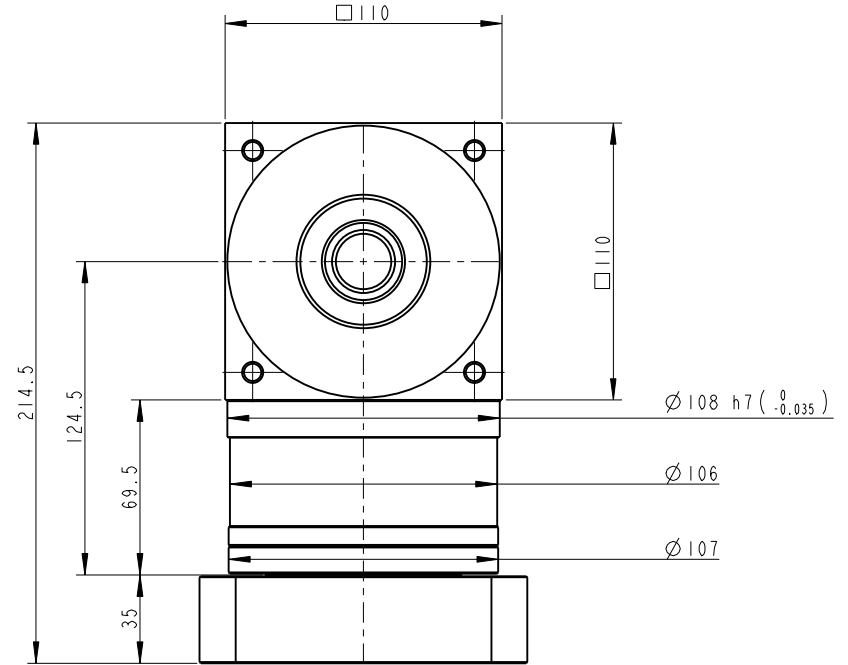
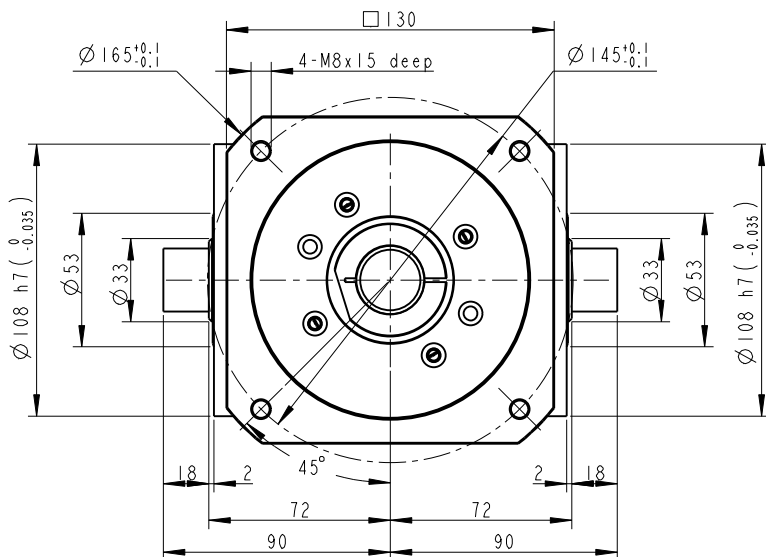
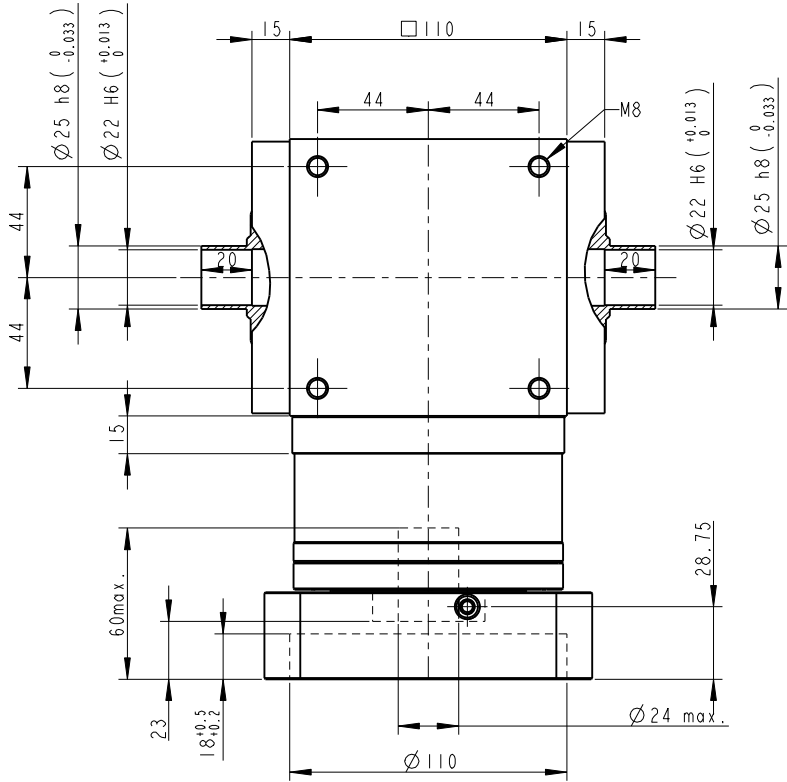
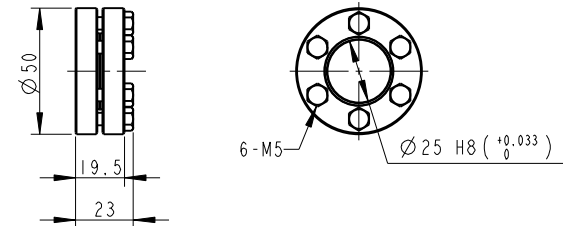



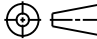
ATB110FC - 001 / MITSUBISHI HG-SR102



Shrink Disc (Option)



INERTIA: 6.04-7.62 kg-cm²
 MASS: 11.8 kg
 BACKLASH: <=6 arcmin
 BUSHING SUPPLIED WHEN MOTOR SHAFT DIAMETER SMALL THAN $\varnothing 24$

PART NO. ATB110FC1-P0403302001 ATB110FC-1, AD-P90-M130-1		 APEX DYNAMICS, INC.		
APPROVALS	DATE	TITLE ATB110FC 1 STAGE , RATIO= 1~5 AND MOTOR FLANGE MOUNTING		
DRAWN 萬俊志		DWG NO. ATB110FC1-P0403302001		
CHECKED		APPROVED		
		 SIZE A1	SCALE 1 : 1	REV