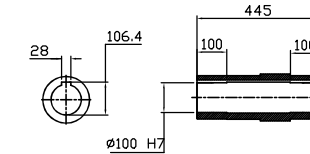
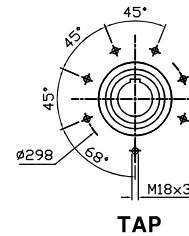
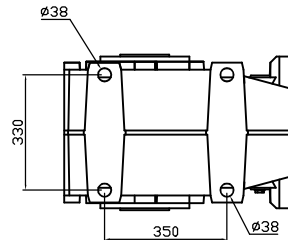
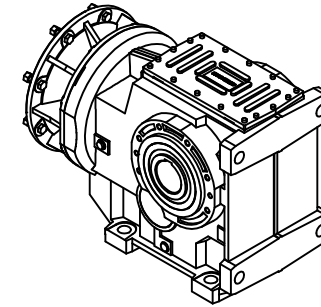
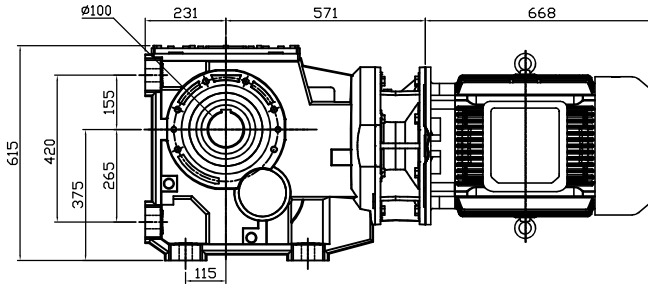
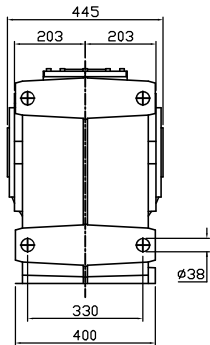


REDUCER SPEC	
MODEL	B163UC
INPUT DIMENSION	IEC 225B5
RATIO	8.89 - 69.78
OUTPUT [rpm]	
OUTPUT TORQUE [Nm]	
WEIGHT [kg]	457.1

MOTOR SPEC	
MODEL	TE-F 호성 IE3
POWER [kW]	37
POLE, PHASE	4P, 3PHASE
INPUT [rpm]	1750
BRAKE	NO
WEIGHT [kg]	325



OUTPUT HOLLOW SHAFT



Tel. 032-815-8888 Fax. 815-8020
www.hcmfa.com

PROJECT		MOTOVARIO					
DRAWN	SEO Y.S	DATE		REV	A	SCALE	1:1
CHECKED	KIM J.S	DATE		UNIT	MM	PAGE	-
APPROVED	LEE J.Y	DATE					