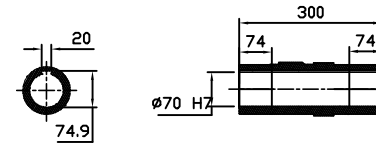
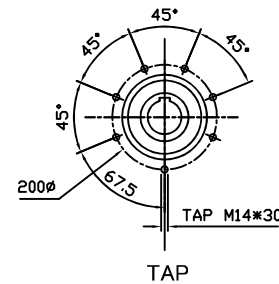
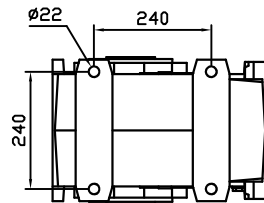
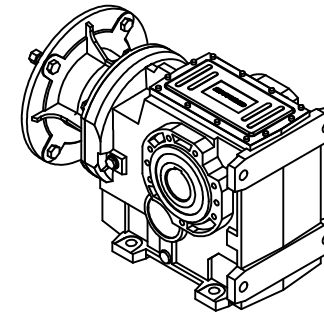
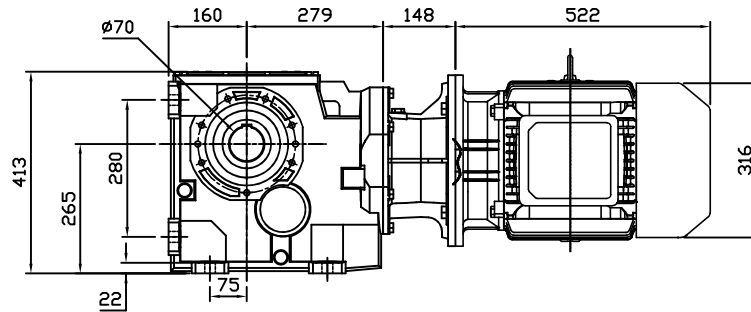
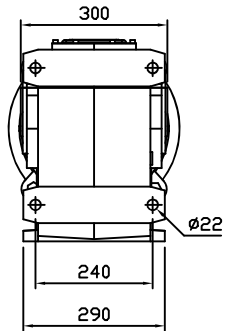


REDUCER SPEC	
MODEL	B143UC
INPUT DIMENSION	IEC 160B5
RATIO	10.84 - 64.88
OUTPUT [rpm]	
OUTPUT TORQUE [Nm]	
WEIGHT [kg]	133

MOTOR SPEC	
MODEL	TE-F 호성 IE3
POWER [kW]	15
POLE, PHASE	4P, 3PHASE
INPUT [rpm]	1750
BRAKE	NO
WEIGHT [kg]	171



OUTPUT HOLLOW SHAFT

**(주)한국제인모터**

Tel. 032-815-8888 Fax. 815-8020  
www.hcmfa.com

PROJECT		MOTOVARIO					
DRAWN	SED Y.S	DATE		REV	A	SCALE	1:1
CHECKED	KIM J.S	DATE		UNIT	MM	PAGE	-
APPROVED	LEE J.Y	DATE					