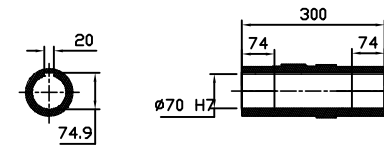
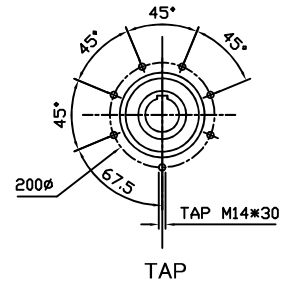
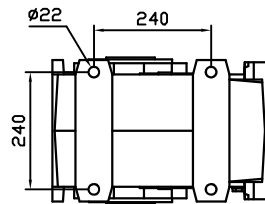
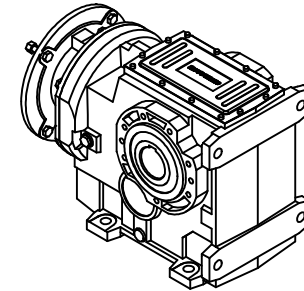
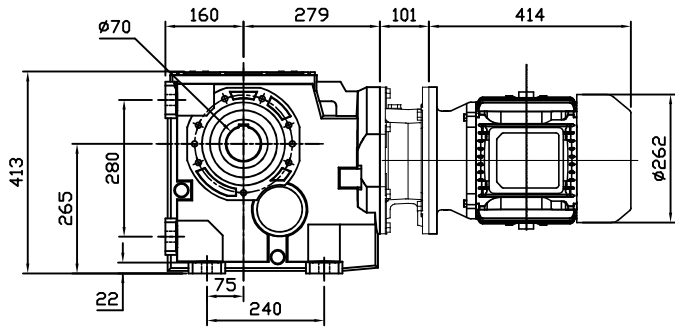
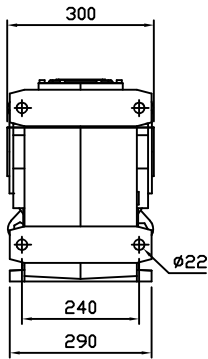


REDUCER SPEC	
MODEL	B143UC
INPUT DIMENSION	IEC 132B5
RATIO	10.84 - 187.24
OUTPUT [rpm]	
OUTPUT TORQUE [Nm]	
WEIGHT [kg]	127

MOTOR SPEC	
MODEL	TE-F 호성 IE3
POWER [kW]	7.5
POLE, PHASE	4P, 3PHASE
INPUT [rpm]	1750
BRAKE	NO
WEIGHT [kg]	102



OUTPUT HOLLOW SHAFT

(주)한국체인모터

Tel. 032-815-8888 Fax. 815-8020
www.hcmfa.com

PROJECT		MOTOVARIO					
DRAWN	SEO Y.S	DATE		REV	A	SCALE	1:1
CHECKED	KIM J.S	DATE		UNIT	MM	PAGE	-
APPROVED	LEE J.Y	DATE					