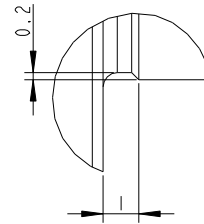
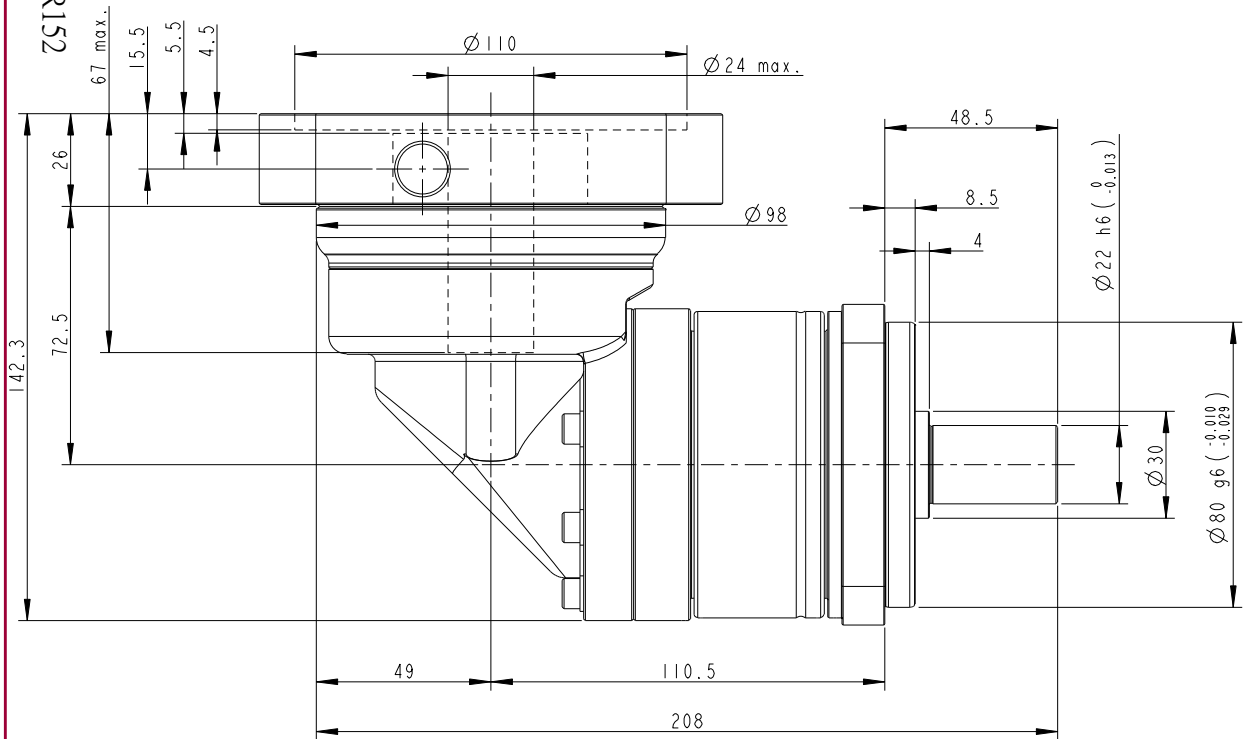
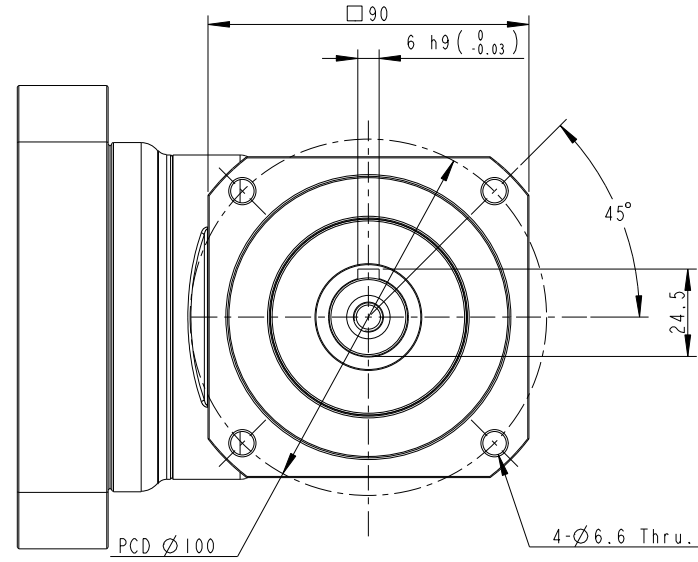
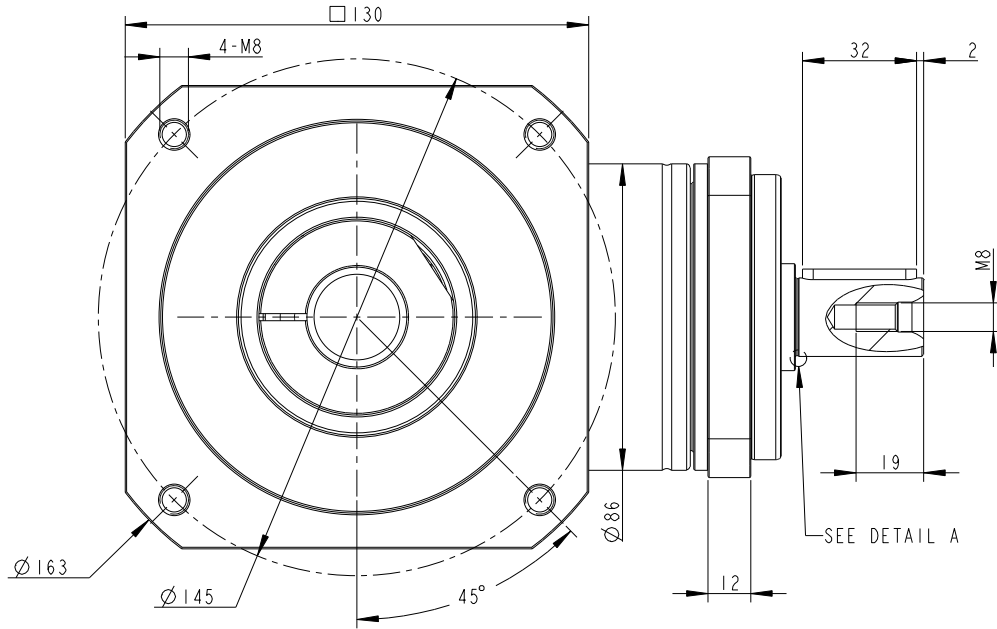




PA II R090 - 003 - S2 / MITSUBISHI HG-SR152



DETAIL A
SCALE 10:1

INERTIA: 2.97 kg-cm²
MASS: 4.5 Kg

| | | | |
|--|------|---|--------------|
| PART NO. PA2R-090_1ST_24-P0411501606 AD-PE2-S24-M130-6 | |  APEX DYNAMICS, INC. | |
| APPROVALS | DATE | TITLE PA2R-090_1 Stage_S24 , RATIO= 3-10 AND MOTOR FLANGE MOUNTING | |
| DRAWN 蔡耀雄 | | DWG NO. PA2R-090_1ST_24-P0411501606 | |
| CHECKED | |  | SIZE A2 |
| APPROVED | | | SCALE 1:1 |
| | | | REV |