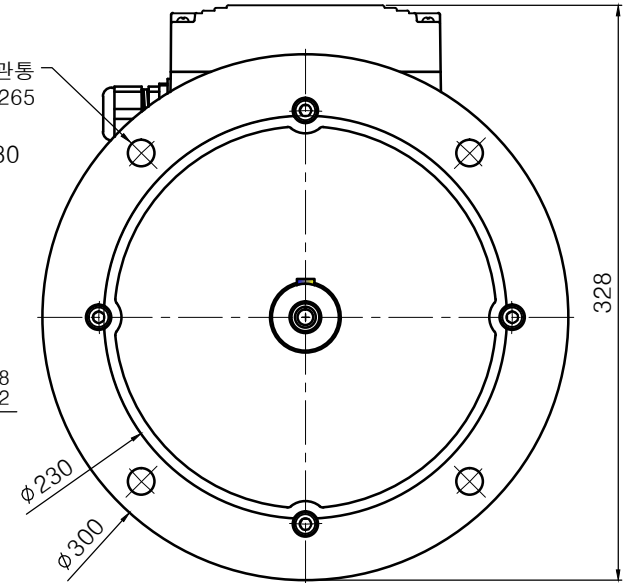
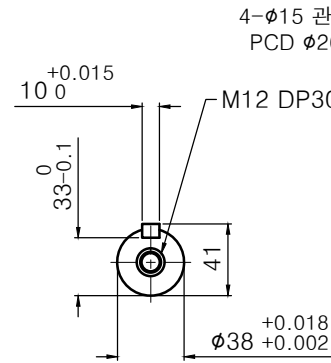
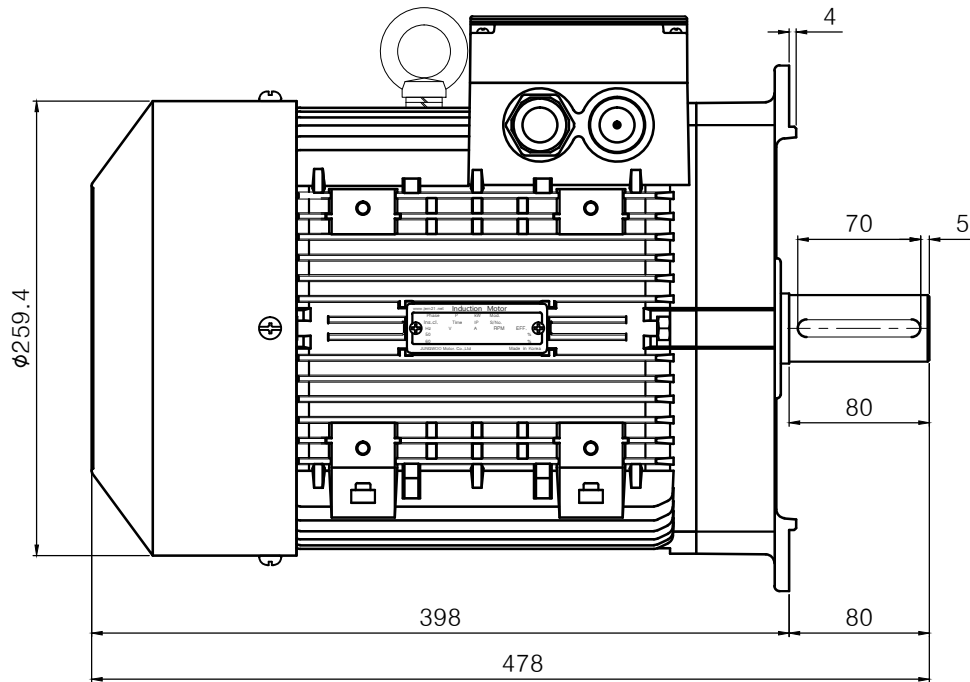


표준 IE3 삼상 B5 - FF265 (132M)

CODE No

Model No	Out Put (kW)				Volt	Hz	IP	Ins cl.	Time	Bearing		Type
	2P	4P	6P	8P						DE	ODE	
			5.5				55	F	S1	6208ZZ	6307ZZ	TEFC



STYLE	3rd Angle	TITLE	Induction Motor Out Line
UNIT	MM		
SCALE	1 : 2	 정우전기 (주)	
DATE	2020.06.19		
DSND BY	MIN.B.W		