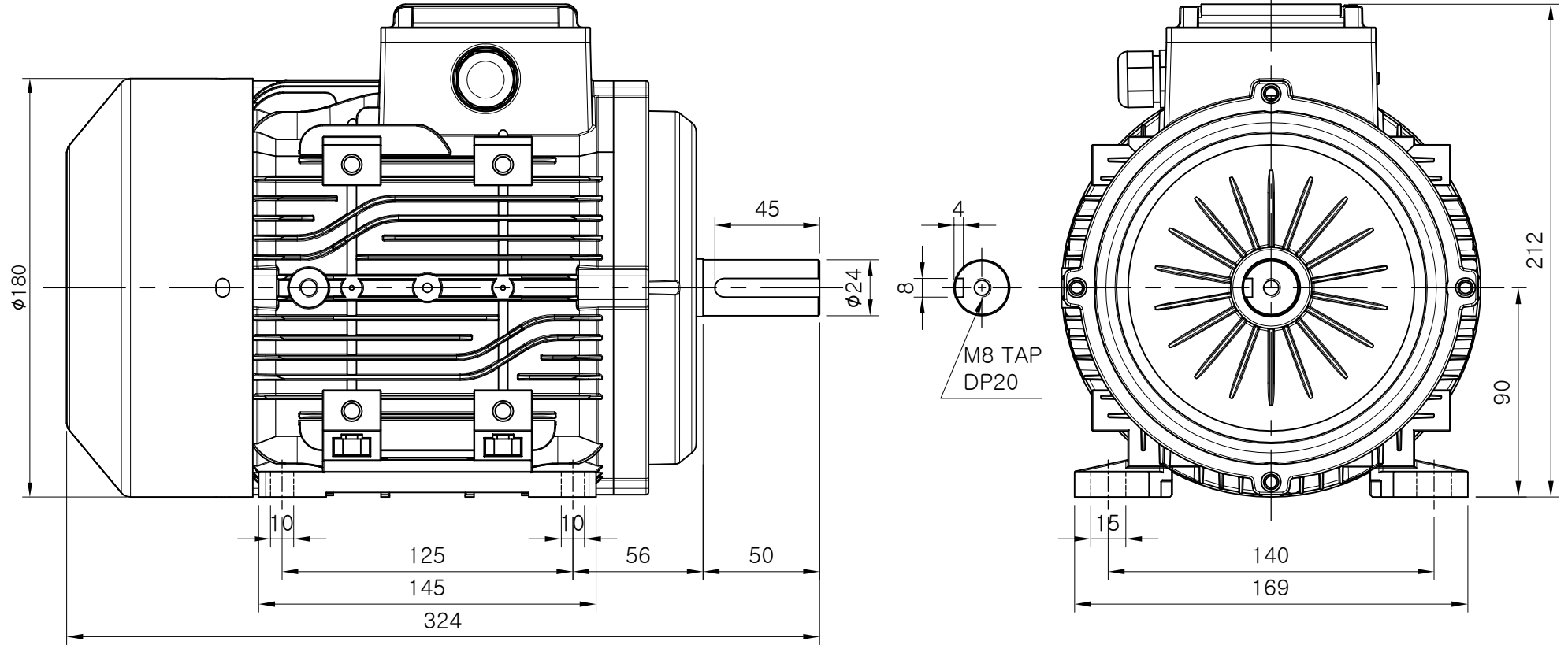


CUSTOMER
IE3 3Ø 0.75KW(1HP) 6P B3

No.	Description of Revision	Date	Name	Approval
△ X				

2023.02.02



※ NOTE ※
1. 케이블 그랜드 : PG13.5

DRAWING	KIM S. C	DATE	3RD ANGLE PROJECTION	Title
DESIGNED		2023.02.02		B3 3Ø 1HP 6P Premium
CHECKED		SCALE	SHEET	Drawing No.
APPROVED		1/1	1 / 1	IE3 B3-301.06A

	IK ELECTRIC CO., LTD.	Model No.	REV.
		IKM-0756P	0

This drawing contains information that is proprietary to IK Electric Co.,Ltd
And should not be used without written permission.