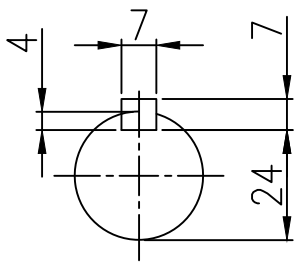
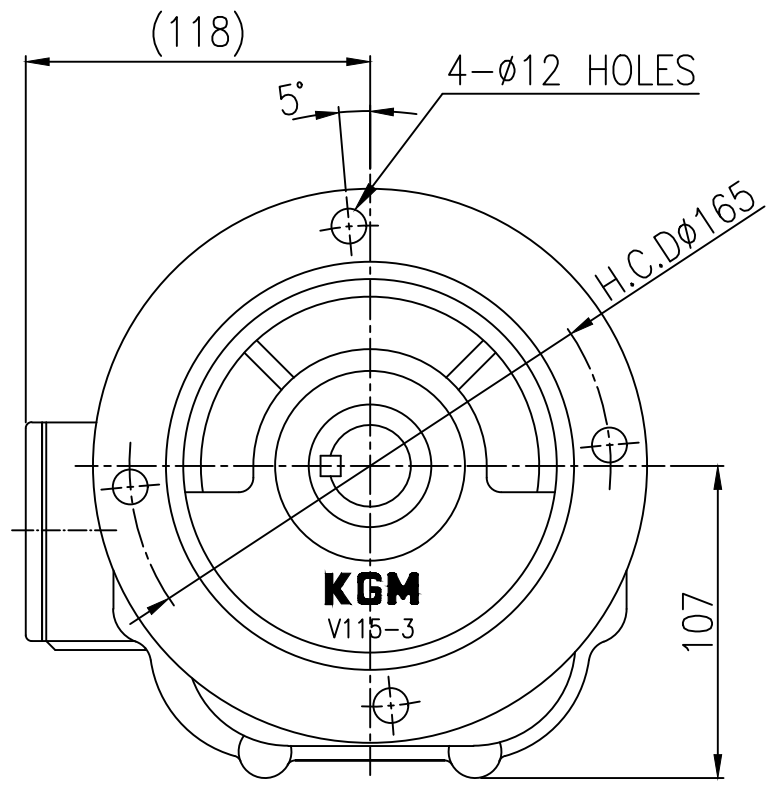
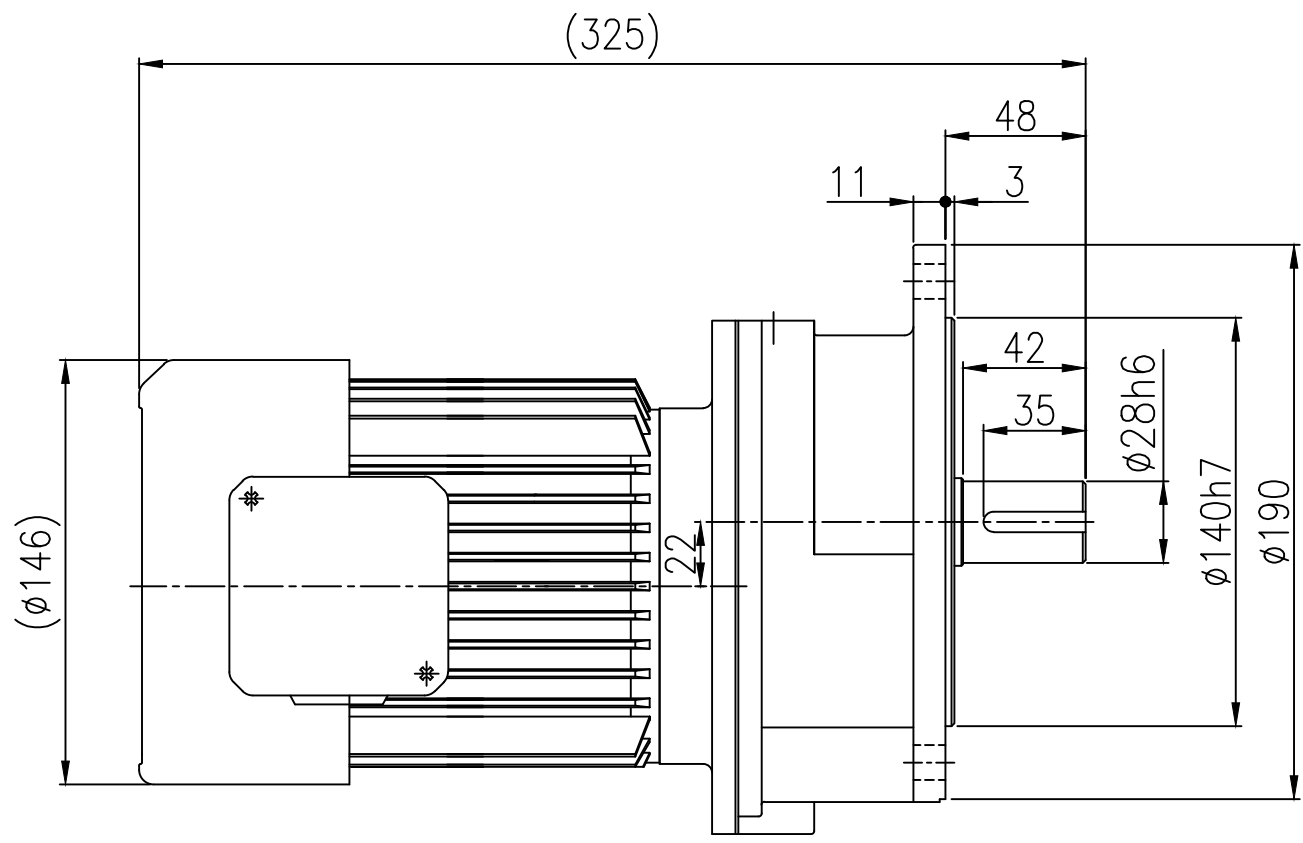


NO.	REVISION	DATE	DESIGNED	CHECKED	APPROVED
△					
△					

NKV115-1/2HP 4P 삼상



OUTPUT KEY

NKV115	CAPACITY (Kw)	0.4Kw 4P				WEIGHT (Kg)
	REDUCTION RATIO	1/40	1/50	1/60	1/75	
	OUTPUT R.P.M	45	36	30	24	

- M5*0.8
- M6* 1
- M8*1.25
- M10*1.5
- M12*1.75
- M16* 2
- M18*2.5
- M20*2.5
- M22*2.5
- M24*3

TOOTH CHAMFERING		MODULE			F	1.0UM	1.65-2.35UM	표기외 일반 공차		
HQ, T	C1	C2	C3	각도 : ±0.2°				6 - 30 : ±0.1		
HC & HQ. I	C1	0.5	1.0	2.0	CHAMFER: C1.0	30 - 120 : ±0.15	FILLET: R1.0	120 - 315 : ±0.2	마무리: ▽	315 - 1000 : ±0.3
	C2	2.0	3.0	5.0						

No.	DESCRIPTION	SPECIFICATION	MAT'L	Q'TY	W/T	REMARK
TITLE SPEC.		GEARED MOTOR		CUSTOMER		
		NKV115 1/2HP 4P I=1/40~1/75		NEW STANDARD TYPE		
OUT LINE DWG						
DRAWN	KSS	SCALE	1 / 1	UNIT	mm	
DESIGN	YHH	DATE	2019.07.16	PROJECTION	☺	
CHECKED		REF. No.				REV. No. △
APPROVED		DRAWING No.	KGM-NKV115-VT-0.5-0D-00			