

1

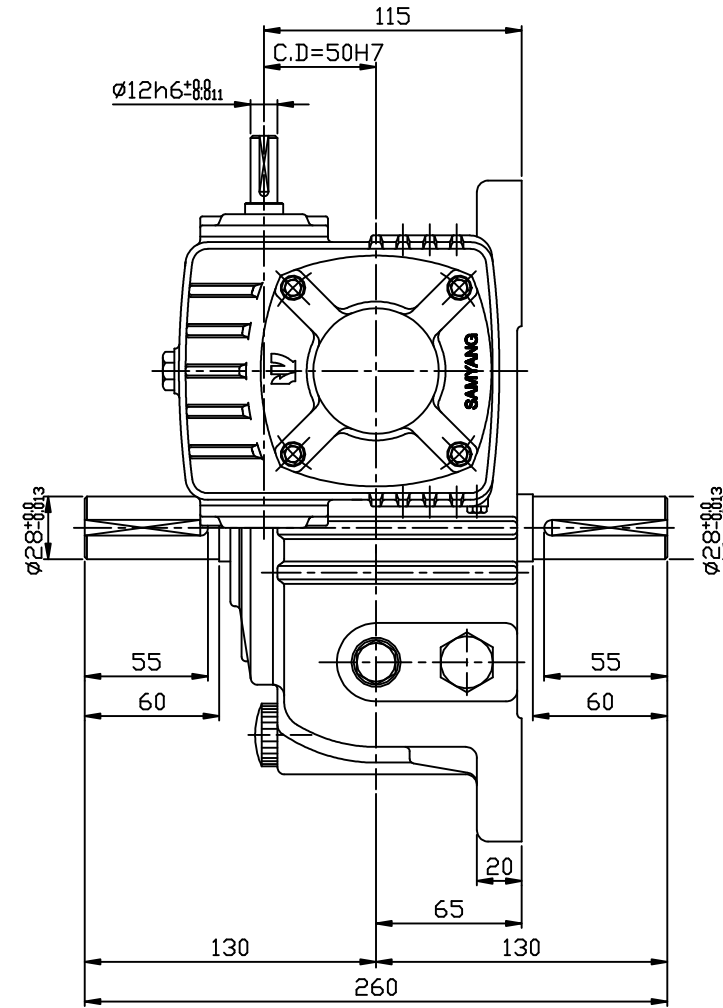
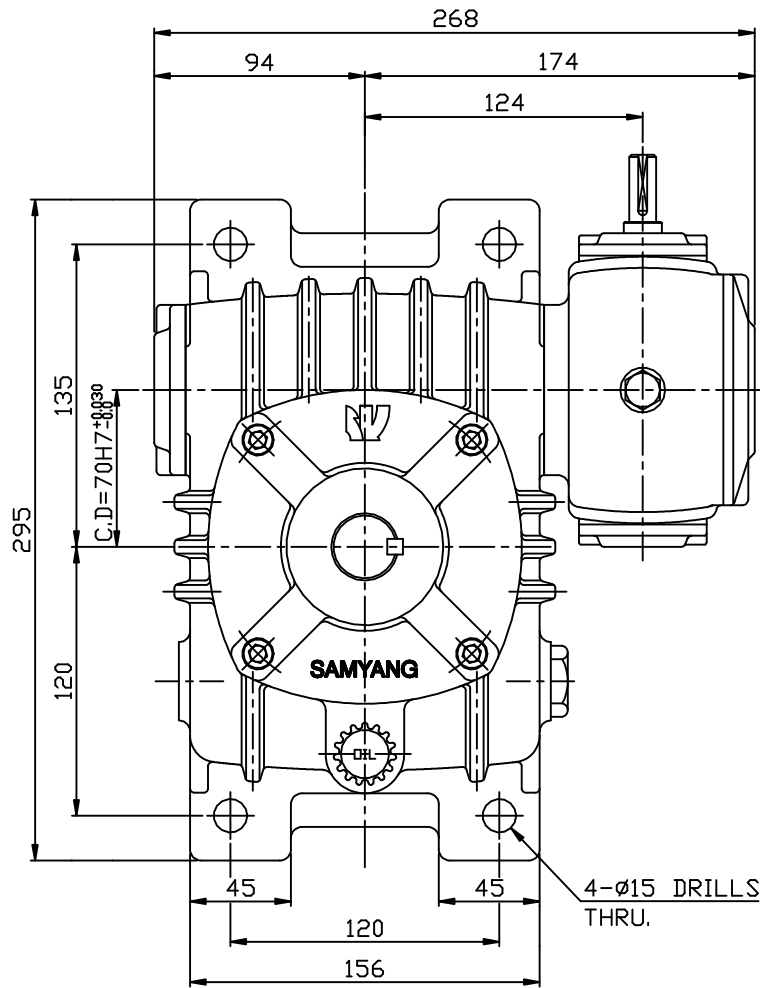
2

3

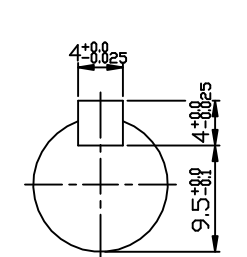
4

DWG. NO.

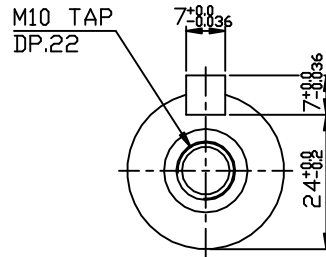
REV	ZONE	DESCRIPTION	DRAWN	APPRVD	DATE



M5*0.8
M6* 1
M8*1.25
M10*1.5
M12*1.75
M16* 2
M18*2.5
M20*2.5
M22*2.5
M24*3



INPUT SHAFT



OUTPUT SHAFT

NO	PART NO.	DESCRIPTION	Q'TY	MATERIAL
DESIGN	DATE	NAME	SCALE	TITLE
CHECK			1 / 2.5	OUTLINE DWG.
APPROV				MAX21 WORM REDUCER DWV70 i=1/200~1/900 C-TYPE
SAMYANG REDUCTION GEARS CO., LTD			DWG SIZE	DWG. NO.
			A3	DWV70_C
				SHEET 1 / 1
				REV

1

2

3

4