

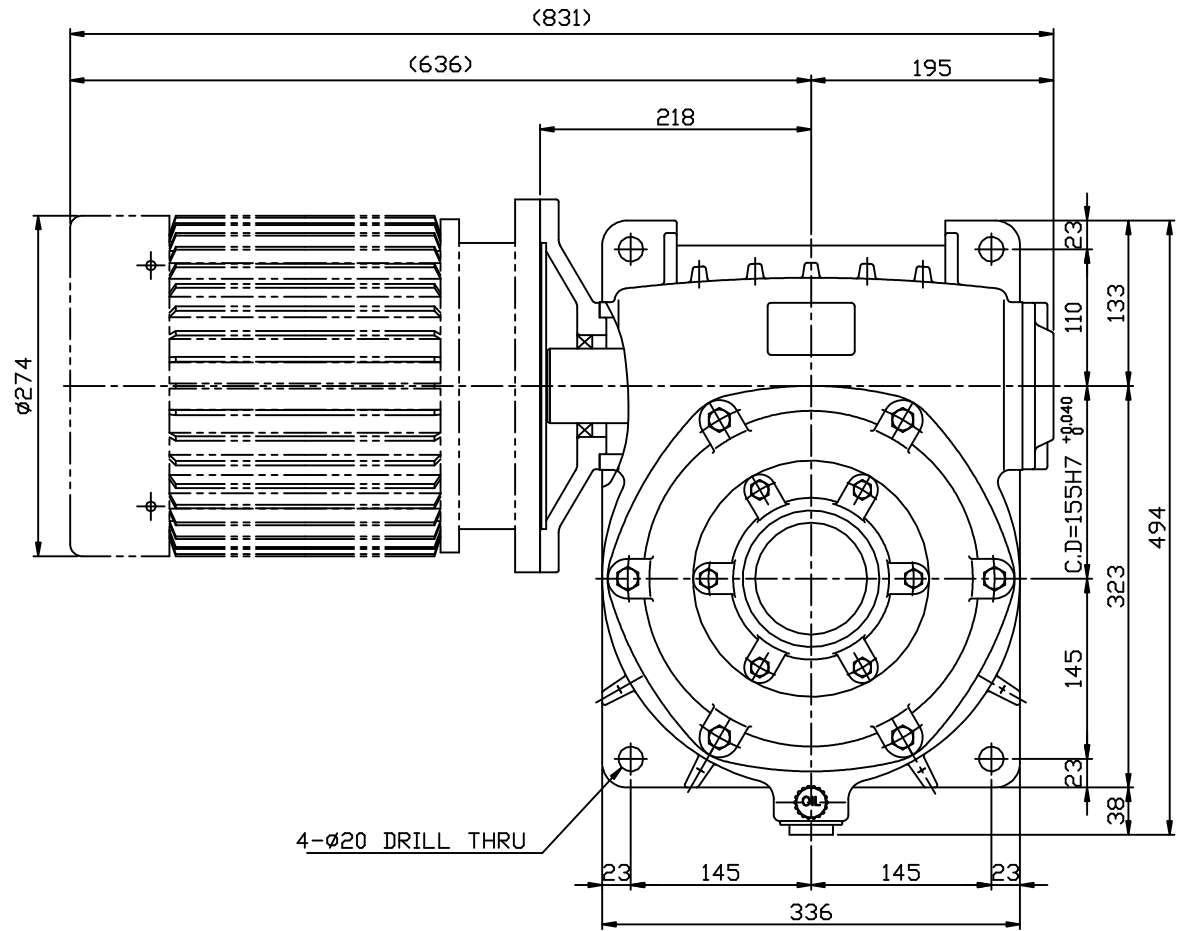
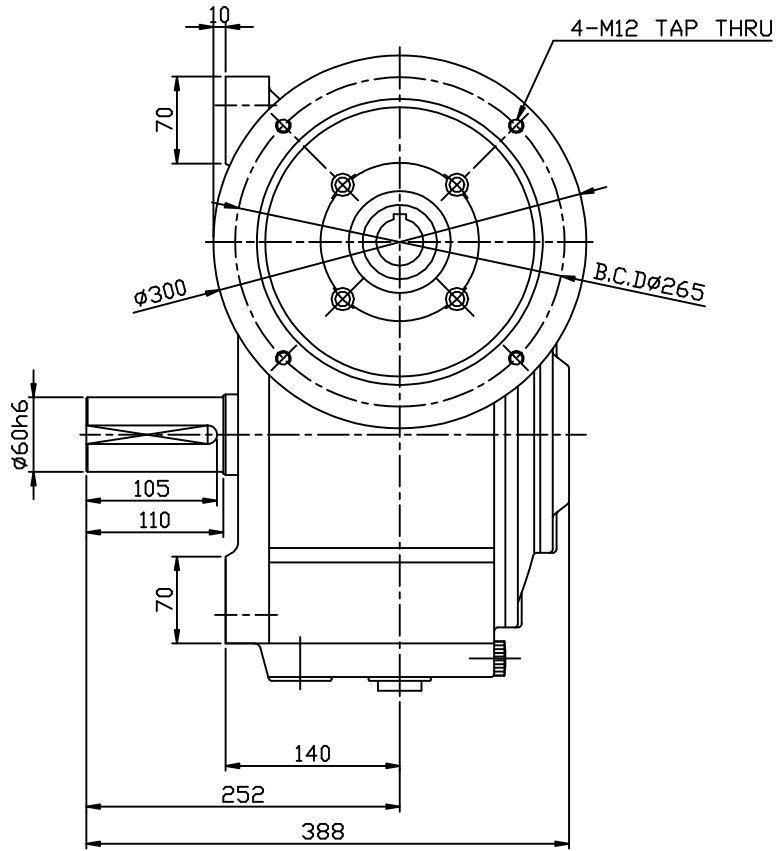
1

2

3

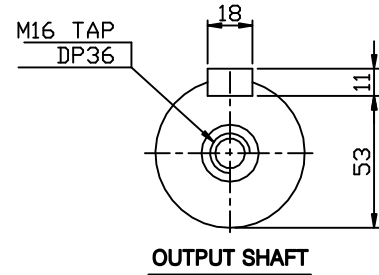
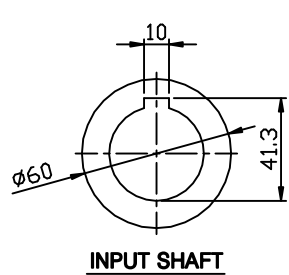
4

DWG. NO.



*AC BRAKE 부착시 MOTOR部에서 125mm늘어남.

- M5*0.8
- M6* 1
- M8*1.25
- M10*1.5
- M12*1.75
- M16* 2
- M18*2.5
- M20*2.5
- M22*2.5
- M24*3



NO	PART NO.	DESCRIPTION	Q'TY	MATERIAL
DESIGN	DATE 99.10.06	NAME Y.N.KIM	SCALE 1/1	TITLE
CHECK				OUTLINE DWG.
APPROV				MAX21 WORM REDUCER WVM155
				10HP i=1/10~1/30 E-TYPE
SAMYANG REDUCTION GEARS CO., LTD			DWG SIZE A3	DWG. NO. WVM155_10E
				SHEET /
				REV

1

2

3

4