

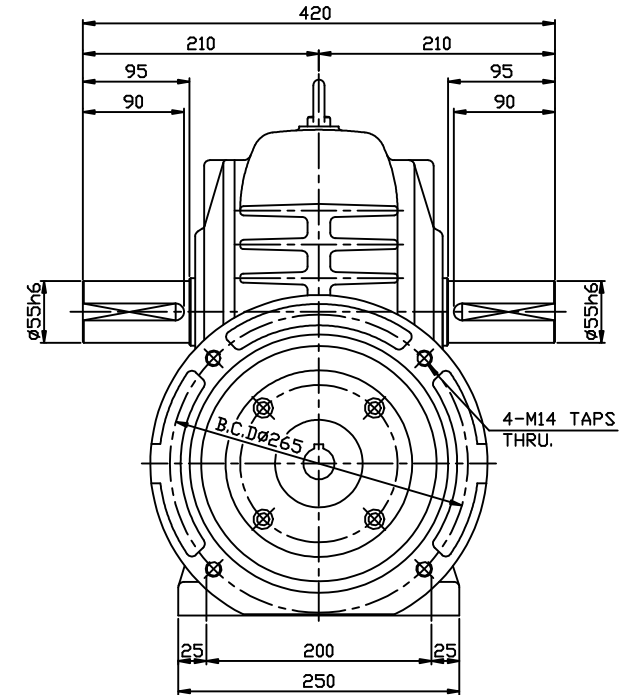
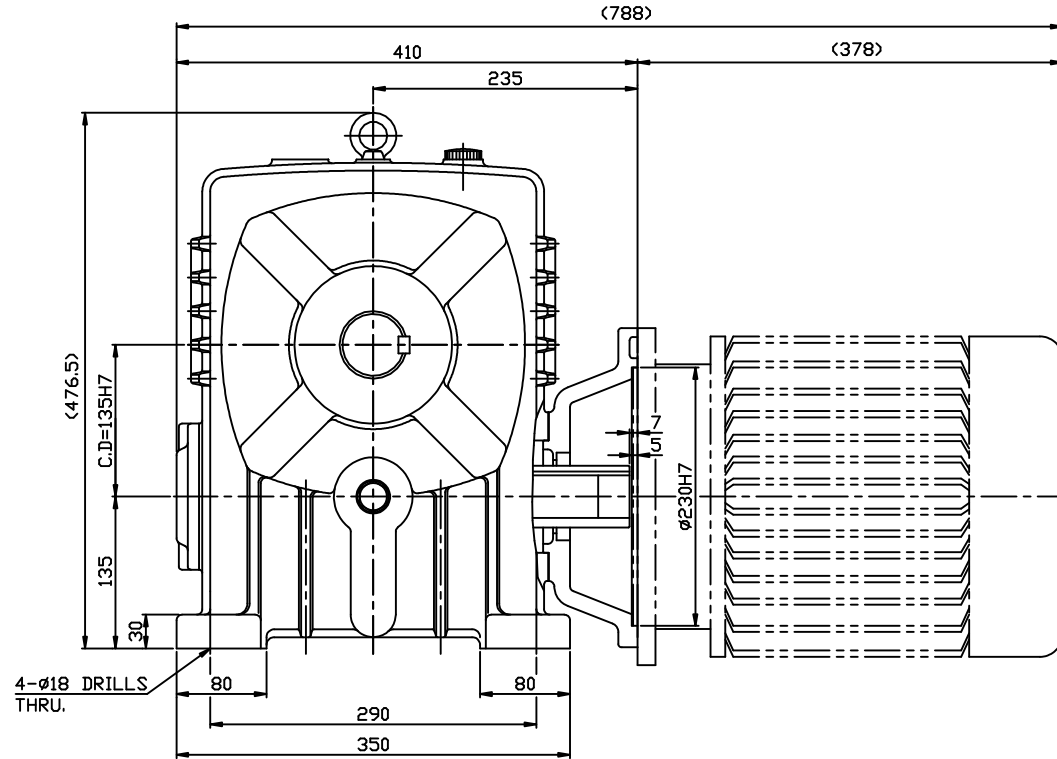
1

2

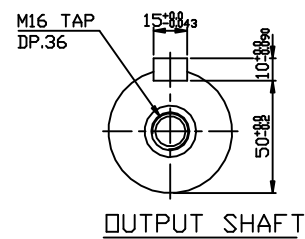
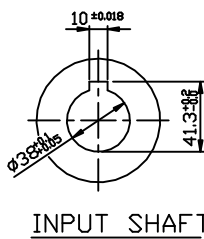
3

4

REV	ZONE	DESCRIPTION	DRAWN	APPRVD	DATE



M5*0.8
M6* 1
M8*1.25
M10*1.5
M12*1.75
M16* 2
M18*2.5
M20*2.5
M22*2.5
M24*3



NO	PART NO.	DESCRIPTION	Q'TY	MATERIAL
1				
2				
3				
4				

NO	PART NO.	DESCRIPTION	Q'TY	MATERIAL

NO	PART NO.	DESCRIPTION	Q'TY	MATERIAL

SAMYANG
REDUCTION GEARS CO., LTD

NO	PART NO.	DESCRIPTION	Q'TY	MATERIAL

NO	PART NO.	DESCRIPTION	Q'TY	MATERIAL

NO	PART NO.	DESCRIPTION	Q'TY	MATERIAL

NO	PART NO.	DESCRIPTION	Q'TY	MATERIAL

NO	PART NO.	DESCRIPTION	Q'TY	MATERIAL

NO	PART NO.	DESCRIPTION	Q'TY	MATERIAL

NO	PART NO.	DESCRIPTION	Q'TY	MATERIAL

NO	PART NO.	DESCRIPTION	Q'TY	MATERIAL

NO	PART NO.	DESCRIPTION	Q'TY	MATERIAL

NO	PART NO.	DESCRIPTION	Q'TY	MATERIAL

NO	PART NO.	DESCRIPTION	Q'TY	MATERIAL

NO	PART NO.	DESCRIPTION	Q'TY	MATERIAL

NO	PART NO.	DESCRIPTION	Q'TY	MATERIAL

NO	PART NO.	DESCRIPTION	Q'TY	MATERIAL

NO	PART NO.	DESCRIPTION	Q'TY	MATERIAL

NO	PART NO.	DESCRIPTION	Q'TY	MATERIAL

NO	PART NO.	DESCRIPTION	Q'TY	MATERIAL

NO	PART NO.	DESCRIPTION	Q'TY	MATERIAL

NO	PART NO.	DESCRIPTION	Q'TY	MATERIAL

NO	PART NO.	DESCRIPTION	Q'TY	MATERIAL

NO	PART NO.	DESCRIPTION	Q'TY	MATERIAL

NO	PART NO.	DESCRIPTION	Q'TY	MATERIAL

NO	PART NO.	DESCRIPTION	Q'TY	MATERIAL

NO	PART NO.	DESCRIPTION	Q'TY	MATERIAL

NO	PART NO.	DESCRIPTION	Q'TY	MATERIAL

NO	PART NO.	DESCRIPTION	Q'TY	MATERIAL

NO	PART NO.	DESCRIPTION	Q'TY	MATERIAL

NO	PART NO.	DESCRIPTION	Q'TY	MATERIAL

NO	PART NO.	DESCRIPTION	Q'TY	MATERIAL

NO	PART NO.	DESCRIPTION	Q'TY	MATERIAL

NO	PART NO.	DESCRIPTION	Q'TY	MATERIAL

NO	PART NO.	DESCRIPTION	Q'TY	MATERIAL

NO	PART NO.	DESCRIPTION	Q'TY	MATERIAL

NO	PART NO.	DESCRIPTION	Q'TY	MATERIAL

NO	PART NO.	DESCRIPTION	Q'TY	MATERIAL

NO	PART NO.	DESCRIPTION	Q'TY	MATERIAL

NO	PART NO.	DESCRIPTION	Q'TY	MATERIAL

NO	PART NO.	DESCRIPTION	Q'TY	MATERIAL

NO	PART NO.	DESCRIPTION	Q'TY	MATERIAL

NO	PART NO.	DESCRIPTION	Q'TY	MATERIAL

NO	PART NO.	DESCRIPTION	Q'TY	MATERIAL

NO	PART NO.	DESCRIPTION	Q'TY	MATERIAL

NO	PART NO.	DESCRIPTION	Q'TY	MATERIAL

NO	PART NO.	DESCRIPTION	Q'TY	MATERIAL

NO	PART NO.	DESCRIPTION	Q'TY	MATERIAL

NO	PART NO.	DESCRIPTION	Q'TY	MATERIAL

NO	PART NO.	DESCRIPTION	Q'TY	MATERIAL

NO	PART NO.	DESCRIPTION	Q'TY	MATERIAL

NO	PART NO.	DESCRIPTION	Q'TY	MATERIAL

NO	PART NO.	DESCRIPTION	Q'TY	MATERIAL

NO	PART NO.	DESCRIPTION
----	----------	-------------