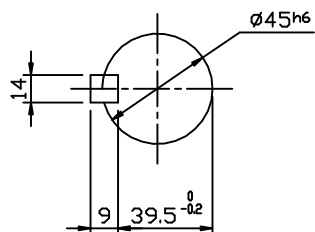
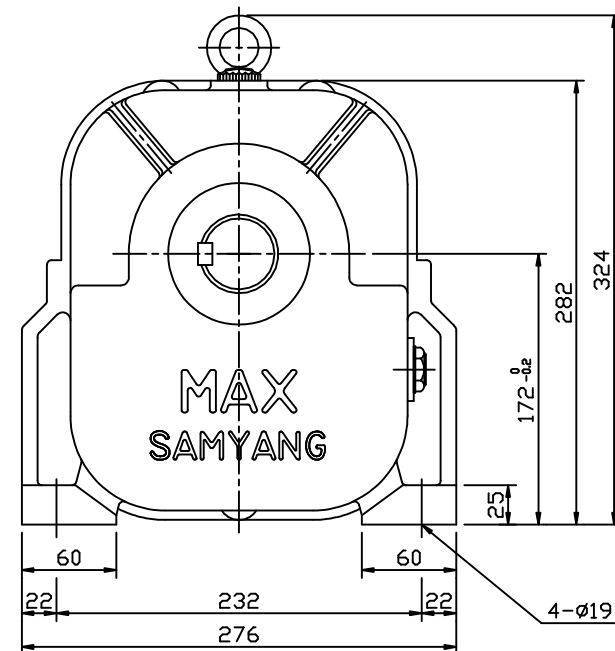
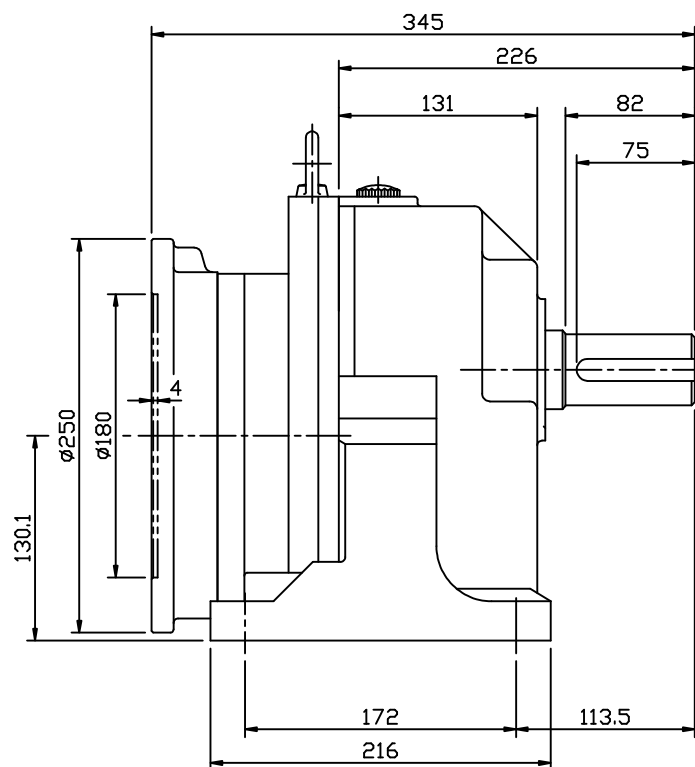
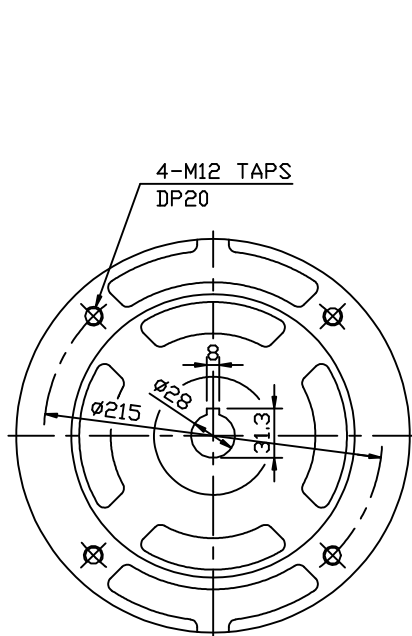


MATERIAL

Q'TY

By order



OUTPUT SHAFT

	DATE	NAME	TITLE	SCALE
DESIGN			MAX GEARED MOTOR F172	1 / 1
CHECK			3.7Kw-4P-3Ø i=1/5~1/20	
APPROV			I.E.C FLANGE TYPE	
			PART	SHEET
			DWG. NO. F172-037-IEC	
 REDUCTION GEAR CO., LTD				

NO.	REVISION	DATE	NAME